

Start-up duration	30 % (basis time 300 s)
Mode of operation	S3
Supply voltage	24 VDC ± 10 %
Nominal current	0.8 A
Positioning accuracy measurement of position taken directly at the output shaft	± 2.5°
Positioning range	250 rotations not subject to mechanical limits
Shock resistance in accordance with IEC/DIN EN 60068-2-27	30 g 11 ms
Vibration resistance in accordance with IEC/DIN EN 60068-2-6	10 .. 150 Hz 10g
Output shaft	10 mm solid shaft with feather key
Maximum axial force	20 N
Maximum radial force	50 N
Ambient temperature	10 .. 45°C
Storage temperature	-10 .. 70°C
Protection class	IP 65
Housing	plastic
Weight	600 g
Certificates	CE

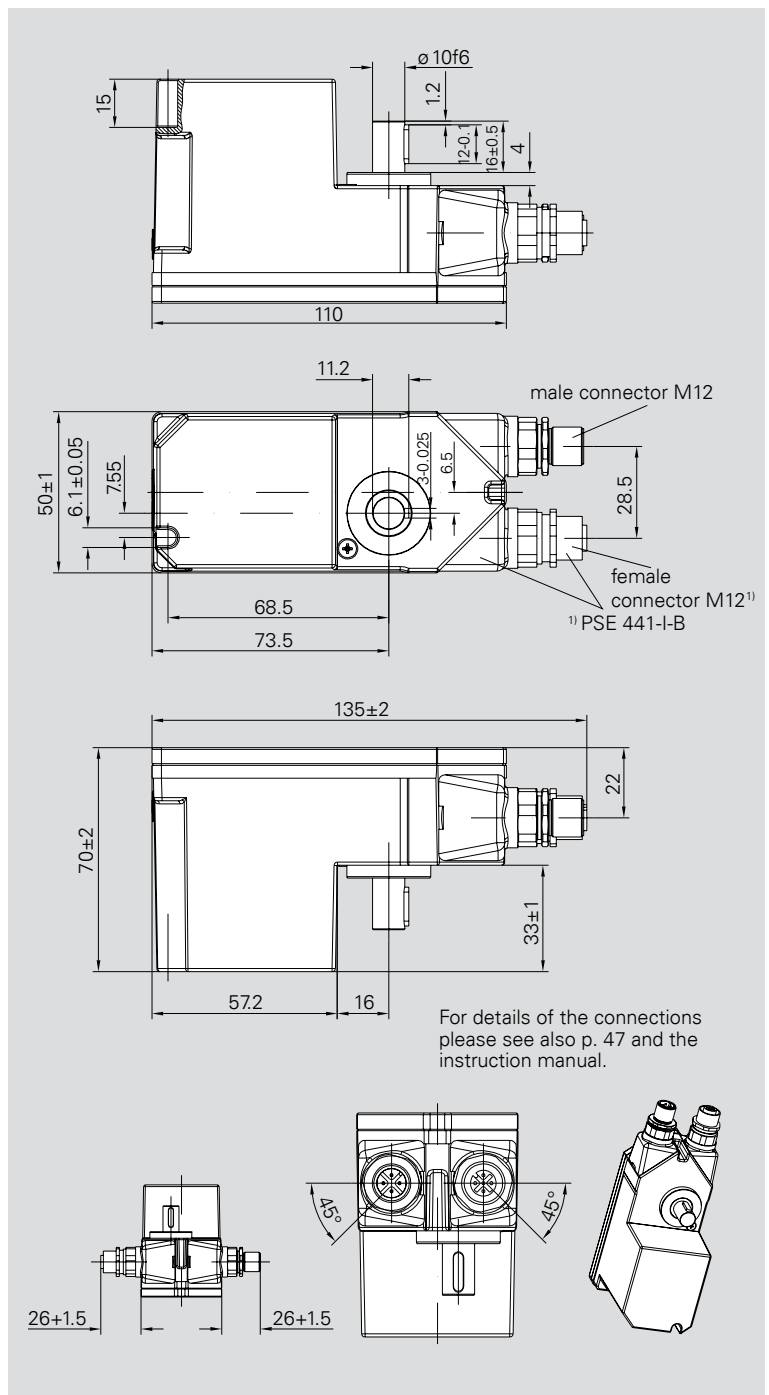
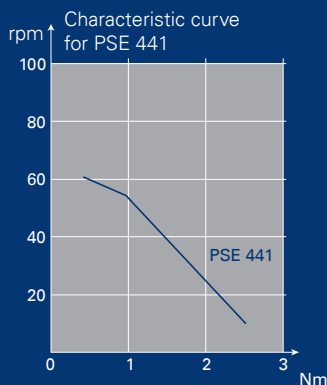
Nominal torque	Peak torque	A
1.5 Nm	2.5 Nm	441
@ 40 rpm	@ 10 rpm	

Data interfaces	B
RS 485	I

Connections	C
Standard for connection to the Hub (one shared connector for the power supply and bus)	S
Standard + 2 nd connection for further device, power supply looped through, bus: daisy chain RS 485 ¹⁾	B

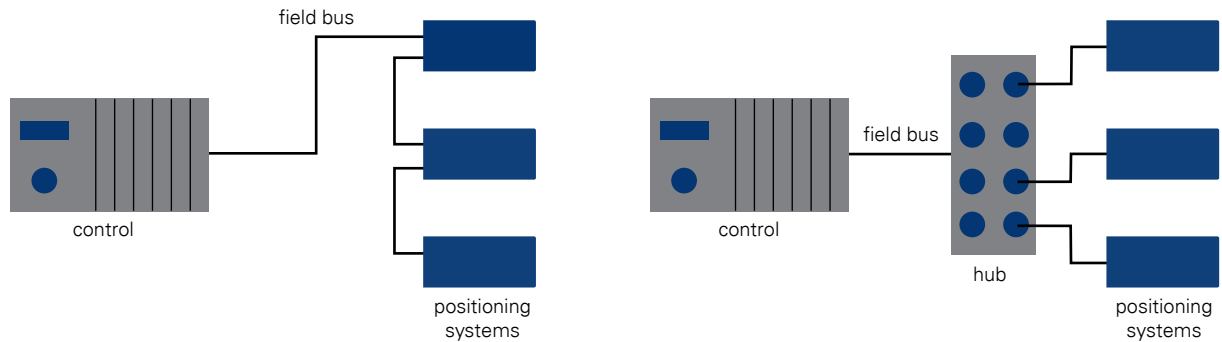
¹⁾ A "daisy chain" is only possible if the control is used as the bus master, not possible using the Hub.

Order code	A	B	C
PSE	441	I	



HIPERDRIVE POSITIONING SYSTEMS

The HIPERDRIVE series facilitates both direct wiring and indirect wiring via a Hub (see p. 8 +9)



A direct wiring (adapter) → see p. 40

B indirect wiring via Hub → see p. 41

ACCESSORIES FOR HIPERDRIVE HDA 70 AND PSE 441

HDA 70 with bus communication (Industrial Ethernet ¹⁾ and PROFIBUS DP)				
A	Bus cable for Industrial Ethernet with an M12 connector (D-cod.) 10 m: Order no. 9508.0045 20 m: Order no. 9508.0046		Power supply cable with a 7/8" connector socket 10 m: Order no. 9508.0043 20 m: Order no. 9508.0044	
	Connector set for EtherCAT, PROFINET, EtherNet/IP: 7/8" power supply connector + 2 x databus connector Order no. 9508.0050			
	Bus cable for PROFIBUS DP with an M12 connector socket (B-cod.) 10 m: Order no. 9508.0011 25 m: Order no. 9508.0017		Connector for PROFIBUS DP M12 connector socket (B-cod.) Order no. 9508.0027	
	Connector set for PROFIBUS DP: 7/8" power supply connector + databus connector and socket Order no. 9508.0034		Connector for PROFIBUS DP M12 connector (B-cod.) Order no. 9508.0012 with terminating resistors: Order no. 9508.0013	
HDA 70 with RS 485 (for indirect cabling via Hub)				
B	Simple flange adapter with cable: 1 m: Order no. 9508.0038 2 m: Order no. 9508.0033 5 m: Order no. 9508.0019 10 m: Order no. 9508.0010 15 m: Order no. 9508.0008		Connecting cable (with crimp contacts at one end) without adapter 2.5 m: Order no. 9508.0030	
			Adapter without cable Order no. 9508.0009	
PSE 441 with RS 485				
	Power supply and bus cable with an M12 connector socket (A-cod.) 10 m: Order no. 9508.0022 15 m: Order no. 9508.0035		Connector M12 connector socket (A-cod.) for PSE 441 master Order no. 9601.0144	
			Connector M12 connector (A-cod.) for PSE 441 slave drive Order no. 9601.0152	

¹⁾ EtherCAT, PROFINET, EtherNet/IP