

1

2

3

REVISIONS

AUTH

ZONE

LTR

ECO

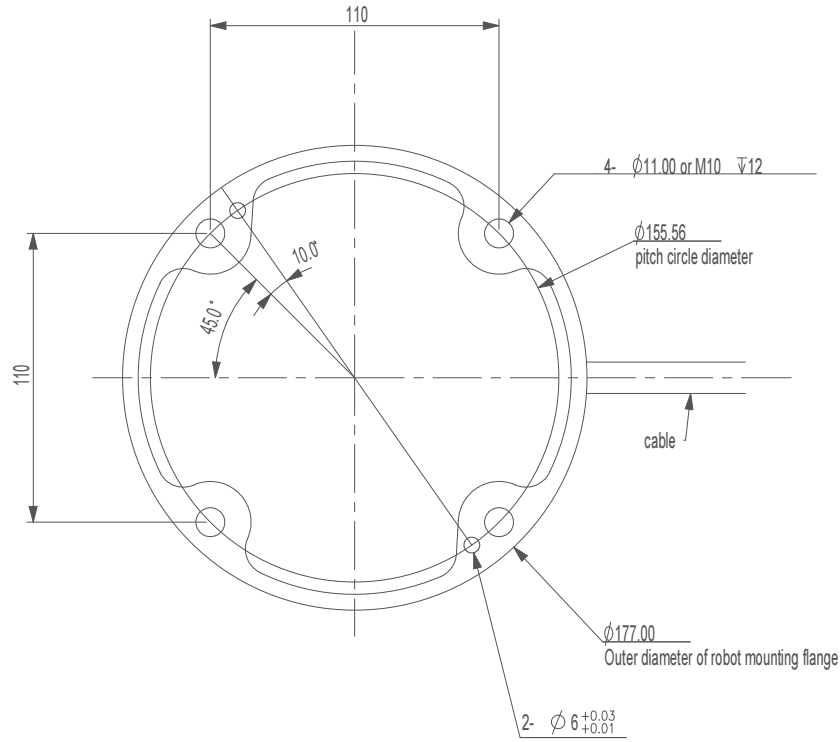
DESCRIPTION

DATE

A

RELEASE FOR PRODUCTION

A



B

B

C

C

D

D

E

E


Need to use the material and production process that must be complied with green product's requirement according to part number's environmental level requirement.
 Material and components needs meet the requirement of the newest version of 9999999-201-M05.

○: IMPORTANT DIM.

TM TECHMAN ROBOT

TITLE
TM5 Mounting Flange

Unspecified Tol's ± mm		UNIT:mm		
Over	To	Fine	Medium	Coarse
0	6	0.05	0.1	0.2
6	30	0.1	0.2	0.5
30	120	0.15	0.3	0.8
120	400	0.2	0.5	1.2
400	1000	0.3	0.8	2.0
ANGLE		0.5°	1°	2°


 SIZE
A4
 SCALE
1:3
 SHEET
1 OF 1

PART NO.		REV	
MATERIAL		FILE NAME	
DRAWN Jacque.Huang 2016.11.01	DESIGN	CHECK	APPROVE

F

F

1

2

3

4