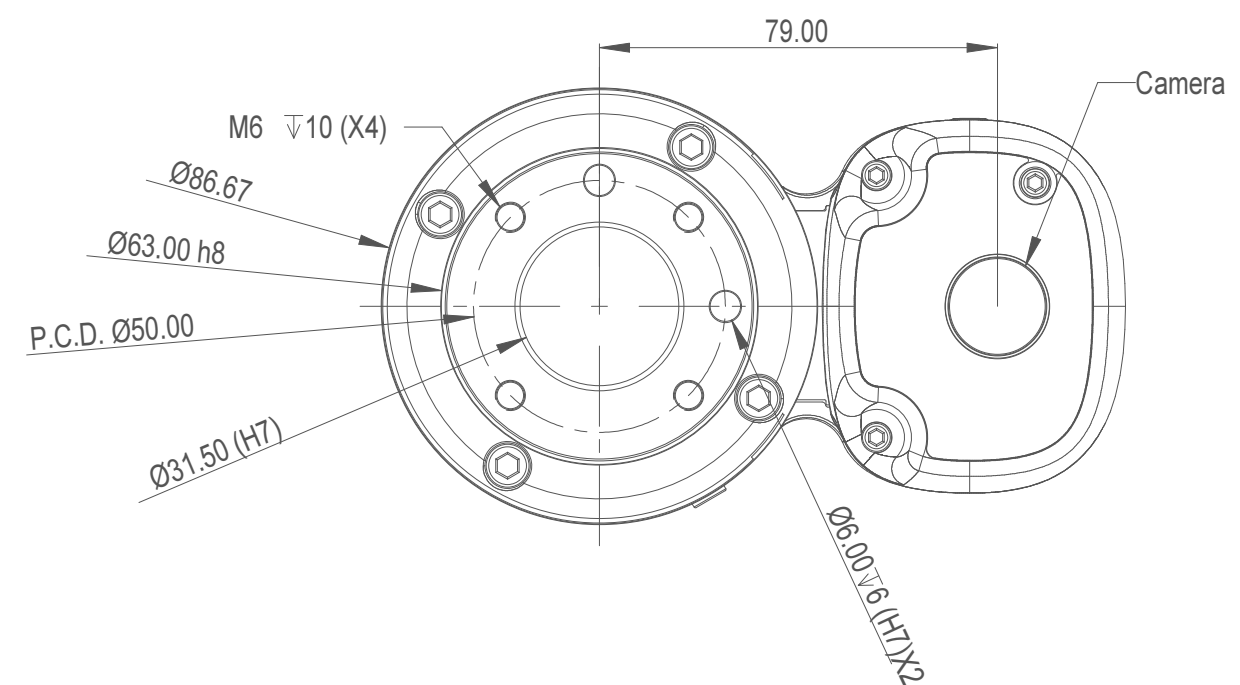
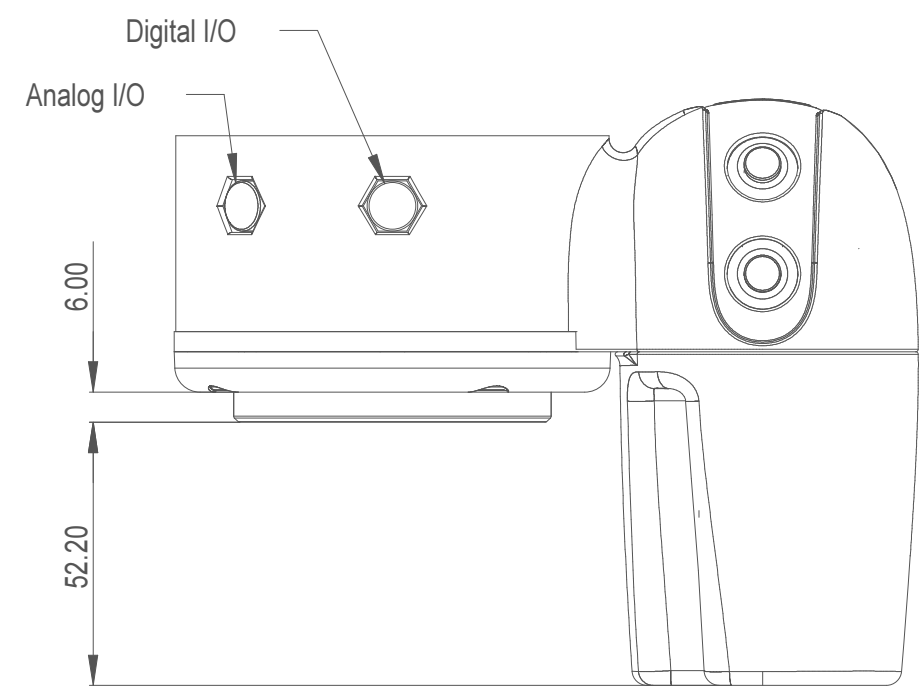


REVISIONS					
AUTH	ZONE	LTR	ECO	DESCRIPTION	DATE
		A		RELEASE FOR PRODUCTION	



○: IMPORTANT DIM.

Need to use the material and production process that must be complied with green product's requirement according to part number's environmental level requirement.
Material and components needs meet the requirement of the newest version of 9999999-201-M05.

TM TECHMAN ROBOT					TITLE TM5 Series Tool Flange	
Unspecified Tol's ± mm					PART NO.	
UNIT:mm					REV	
Over	To	Fine	Medium	Coarse	MATERIAL	
0	6	0.05	0.1	0.2	FILE NAME	
6	30	0.1	0.2	0.5	DRAWN	
30	120	0.15	0.3	0.8	DESIGN	
120	400	0.2	0.5	1.2	CHECK	
400	1000	0.3	0.8	2.0	APPROVE	
ANGLE		0.5°	1°	2°	Kevin.Teng 2017.01.06	

