



WPLHE

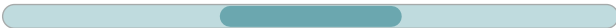
Economical and with a heavy-duty output bearing: The WPLHE right-angle gearbox

Axially space-saving, economical, IP65-compliant and designed for high radial and axial forces at the output: The **WPLHE** combines all the advantages of the successful PLHE, the world's first combination of the Economy and Precision gearboxes, as an right-angle variant.

Nominal output torque **14 - 260 Nm**



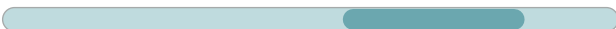
Radial force **3200 - 6000 N**



Axial force **4400 - 8000 N**



Torsional backlash **11 - 18 arcmin**

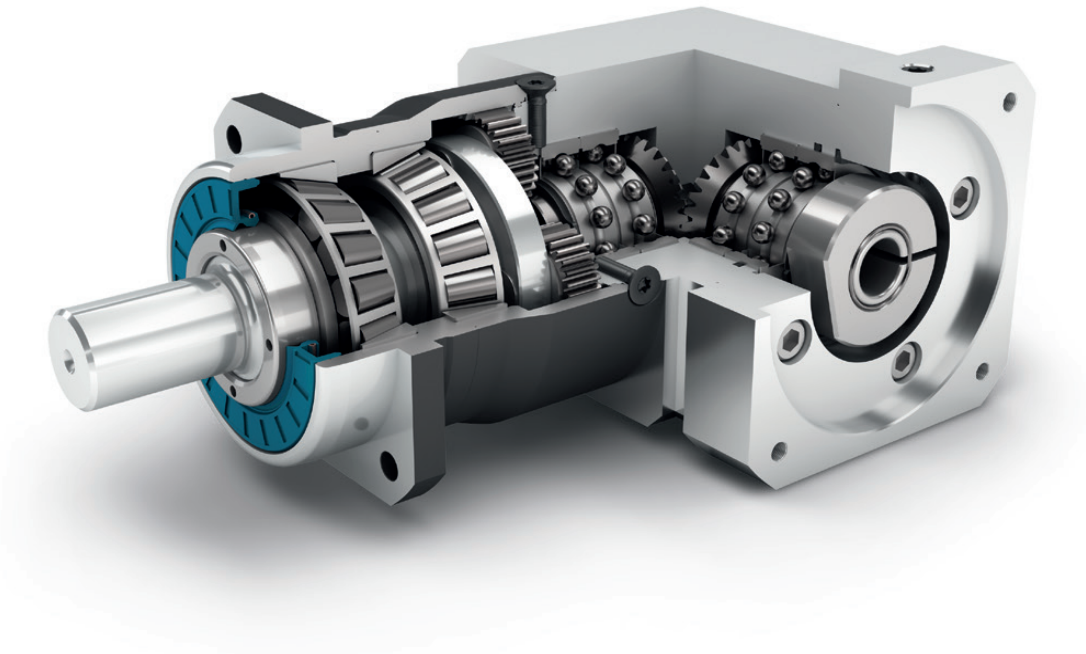


Protection class **IP65**



Frame sizes





Economy Line



Right angle gearbox



Equidirectional rotation



Spur gear



Bevel gear right angle stage



Square type output flange



Preloaded tapered roller bearings



Rotary shaft seal



Extra long centering collar



Planet carrier in disc design



Option: Splined output shaft (DIN 5480)



Option: Planetary gearbox with mounted pinion on page 132

Code	Gearbox characteristics			WPLHE060	WPLHE080	WPLHE120	p ⁽¹⁾
	Service life (L _{10h})	t _L	h	20.000			
	Service life at T _{2N} x 0.88			30.000			
	Efficiency at full load ⁽²⁾	η	%	94			
	Min. operating temperature	T _{min}	°C	-25 (-13)			
	Max. operating temperature	T _{max}	(°F)	90 (194)			
	Protection class				IP65		
S	Standard lubrication				Grease (lifetime lubrication)		
F	Food grade lubrication				Grease (lifetime lubrication)		
L	Low temperature lubrication ⁽³⁾				Grease (lifetime lubrication)		
	Installation position				Any		
S	Standard backlash	j _t	arcmin	< 16	< 13	< 11	1
				< 18	< 15	< 13	2
	Torsional stiffness ⁽²⁾	c _g	Nm /arcmin (lb _r .in/ arcmin)	1.8 - 3.4 (16 - 30)	4.1 - 9.0 (36 - 80)	11.2 - 20.5 (99 - 181)	1
				2.5 - 4.5 (22 - 40)	7.3 - 12.1 (65 - 107)	16.7 - 27.0 (148 - 239)	2
	Gearbox weight ⁽²⁾	m _G	kg (lb _m)	2.3 (5.0 - 5.1)	4.6 (10.1)	10.9 - 11.0 (23.9 - 24.2)	1
				2.5 (5.4 - 5.5)	5.1 (11.1 - 11.3)	12.5 - 12.8 (27.6 - 28.3)	2
S	Standard surface				Housing: Steel – heat-treated and post-oxidized (black)		
	Running noise ⁽⁴⁾	Q _g	dB(A)	70	73	75	
	Max. bending moment based on the gearbox input flange ⁽⁵⁾	M _b	Nm (lb _r .in)	5 (44)	10.5 (93)	26 (230)	

Output shaft loads			WPLHE060	WPLHE080	WPLHE120	p ⁽¹⁾
Radial force for 20,000 h ⁽⁶⁾⁽⁷⁾	F _{r20.000h}	N (lb _r)	3200 (719)	5500 (1236)	6000 (1349)	
Axial force for 20,000 h ⁽⁶⁾⁽⁷⁾	F _{a20.000h}		4400 (989)	6400 (1439)	8000 (1798)	
Radial force for 30,000 h ⁽⁶⁾⁽⁷⁾	F _{r30.000h}		3200 (719)	4800 (1079)	5400 (1214)	
Axial force for 30,000 h ⁽⁶⁾⁽⁷⁾	F _{a30.000h}		3900 (877)	5700 (1281)	7000 (1574)	
Maximum radial force ⁽⁷⁾⁽⁸⁾	F _{rStat}		3200 (719)	5500 (1236)	6000 (1349)	
Maximum axial force ⁽⁷⁾⁽⁸⁾	F _{aStat}		4400 (989)	6400 (1439)	8000 (1798)	
Tilting moment for 20,000 h ⁽⁶⁾⁽⁸⁾	M _{K20.000h}	Nm (lb _r .in)	191 (1690)	383 (3393)	488 (4317)	
Tilting moment for 30,000 h ⁽⁶⁾⁽⁸⁾	M _{K30.000h}		191 (1690)	335 (2965)	439 (3885)	

Moment of inertia			WPLHE060	WPLHE080	WPLHE120	p ⁽¹⁾
Mass moment of inertia ⁽²⁾	J	kgcm ² (lb _r .in.s ² 10 ⁻⁴)	0.225 - 0.406 (1.991 - 3.593)	0.921 - 1.394 (8.152 - 12.338)	1.832 - 2.970 (16.215 - 26.287)	1
			0.220 - 0.355 (1.947 - 3.142)	0.906 - 1.246 (8.019 - 11.028)	1.818 - 2.787 (16.091 - 24.667)	2

⁽¹⁾ Number of stages

⁽²⁾ The ratio-dependent values can be retrieved in Tec Data Finder – www.neugart.com

⁽³⁾ T_{min} = -40°C. Optimal operating temperature max. 50°C

⁽⁴⁾ Sound pressure level from 1 m, measured on input running at n₁=3000 rpm no load; i=5

⁽⁵⁾ Max. motor weight* in kg = 0.2 x M_b / motor length in m

* with symmetrically distributed motor weight

* with horizontal and stationary mounting

⁽⁶⁾ These values are based on an output shaft speed of n₂=100 rpm

⁽⁷⁾ Based on center of output shaft

⁽⁸⁾ Other (sometimes higher) values following changes to T_{2N}, F_r, F_a, cycle, and service life of bearing. Application specific configuration with NCP – www.neugart.com

Output torques			WPLHE060	WPLHE080	WPLHE120	i ⁽¹⁾	p ⁽²⁾
Nominal output torque ⁽³⁾⁽⁴⁾	T _{2N}	Nm (lb _f .in)	14 (124)	40 (354) ⁽⁵⁾	80 (708) ⁽⁵⁾	3	1
			19 (168)	53 (469) ⁽⁵⁾	105 (929) ⁽⁵⁾	4	
			24 (212)	67 (593) ⁽⁵⁾	130 (1151) ⁽⁵⁾	5	
			25 (221)	65 (575)	135 (1195)	7	
			18 (159)	50 (443)	120 (1062)	8	
			15 (133)	38 (336)	95 (841)	10	
			44 (389) ⁽⁵⁾	130 (1151) ⁽⁵⁾	210 (1859) ⁽⁵⁾	9	2
			44 (389)	120 (1062) ⁽⁵⁾	260 (2301) ⁽⁵⁾	12	
			44 (389)	110 (974)	230 (2036)	15	
			44 (389)	120 (1062)	260 (2301)	16	
			44 (389)	120 (1062)	260 (2301)	20	
			40 (354)	110 (974)	230 (2036)	25	
			44 (389)	120 (1062)	260 (2301)	32	
			40 (354)	110 (974)	230 (2036)	40	
			18 (159)	50 (443)	120 (1062)	64	
			15 (133)	38 (336)	95 (841)	100	
Max. output torque ⁽⁴⁾⁽⁶⁾	T _{2max}	Nm (lb _f .in)	22 (195)	64 (566)	128 (1133)	3	1
			30 (266)	85 (752)	168 (1487)	4	
			38 (336)	107 (947)	208 (1841)	5	
			40 (354)	104 (920)	216 (1912)	7	
			29 (257)	80 (708)	192 (1699)	8	
			24 (212)	61 (540)	152 (1345)	10	
			70 (620)	208 (1841)	336 (2974)	9	2
			70 (620)	192 (1699)	416 (3682)	12	
			70 (620)	176 (1558)	368 (3257)	15	
			70 (620)	192 (1699)	416 (3682)	16	
			70 (620)	192 (1699)	416 (3682)	20	
			64 (566)	176 (1558)	368 (3257)	25	
			70 (620)	192 (1699)	416 (3682)	32	
			64 (566)	176 (1558)	368 (3257)	40	
			29 (257)	80 (708)	192 (1699)	64	
			24 (212)	61 (540)	152 (1345)	100	

- (1) Ratios (i=n1/n2)
- (2) Number of stages
- (3) Application specific configuration with NCP – www.neugart.com
- (4) Values for feather key (code "A"): for repeated load
- (5) Different service life: 10,000 h at T2N
- (6) 30,000 rotations of the output shaft permitted; see page 164

Output torques			WPLHE060	WPLHE080	WPLHE120	i ⁽¹⁾	p ⁽²⁾
Emergency stop torque ⁽³⁾	T _{2Stop}	Nm (lb _r .in)	66 (584)	180 (1593)	360 (3186)	3	1
			86 (761)	240 (2124)	474 (4195)	4	
			80 (708)	220 (1947)	500 (4425)	5	
			80 (708)	178 (1575)	340 (3009)	7	
			80 (708)	190 (1682)	380 (3363)	8	
			70 (620)	170 (1505)	430 (3806)	10	
			88 (779)	260 (2301)	500 (4425)	9	2
			88 (779)	240 (2124)	520 (4602)	12	
			88 (779)	220 (1947)	500 (4425)	15	
			88 (779)	240 (2124)	520 (4602)	16	
			88 (779)	240 (2124)	520 (4602)	20	
			80 (708)	220 (1947)	500 (4425)	25	
			88 (779)	240 (2124)	520 (4602)	32	
			80 (708)	220 (1947)	500 (4425)	40	
			80 (708)	190 (1682)	380 (3363)	64	
			80 (708)	200 (1770)	430 (3806)	100	

Input speeds			WPLHE060	WPLHE080	WPLHE120	i ⁽¹⁾	p ⁽²⁾				
Average thermal input speed at T _{2N} and S1 ⁽⁴⁾⁽⁵⁾	n _{1N}	rpm	2650 ⁽⁶⁾	2050 ⁽⁶⁾	2300 ⁽⁶⁾	3	1				
			3100 ⁽⁶⁾	2300 ⁽⁶⁾	2500 ⁽⁶⁾	4					
			3450 ⁽⁶⁾	2450 ⁽⁶⁾	2700 ⁽⁶⁾	5					
			4250 ⁽⁶⁾	3100 ⁽⁶⁾	3300 ⁽⁶⁾	7					
			4500 ⁽⁶⁾	3550 ⁽⁶⁾	3500 ⁽⁶⁾	8					
			4500	4000 ⁽⁶⁾	3500	10					
			3300 ⁽⁶⁾	2400 ⁽⁶⁾	2500 ⁽⁶⁾	9	2				
			3800 ⁽⁶⁾	2850 ⁽⁶⁾	2600 ⁽⁶⁾	12					
			4450 ⁽⁶⁾	3250 ⁽⁶⁾	3000 ⁽⁶⁾	15					
			4500 ⁽⁶⁾	3250 ⁽⁶⁾	3000 ⁽⁶⁾	16					
			4500 ⁽⁶⁾	3650 ⁽⁶⁾	3400 ⁽⁶⁾	20					
			4500	4000 ⁽⁶⁾	3500 ⁽⁶⁾	25					
			4500	4000 ⁽⁶⁾	3500 ⁽⁶⁾	32					
			4500	4000	3500	40					
			4500	4000	3500	64					
			4500	4000	3500	100					
			Max. mechanical input speed ⁽⁴⁾	n _{1Limit}	rpm	13,000		7000	6500		

⁽¹⁾ Ratios (i=n₁/n₂)

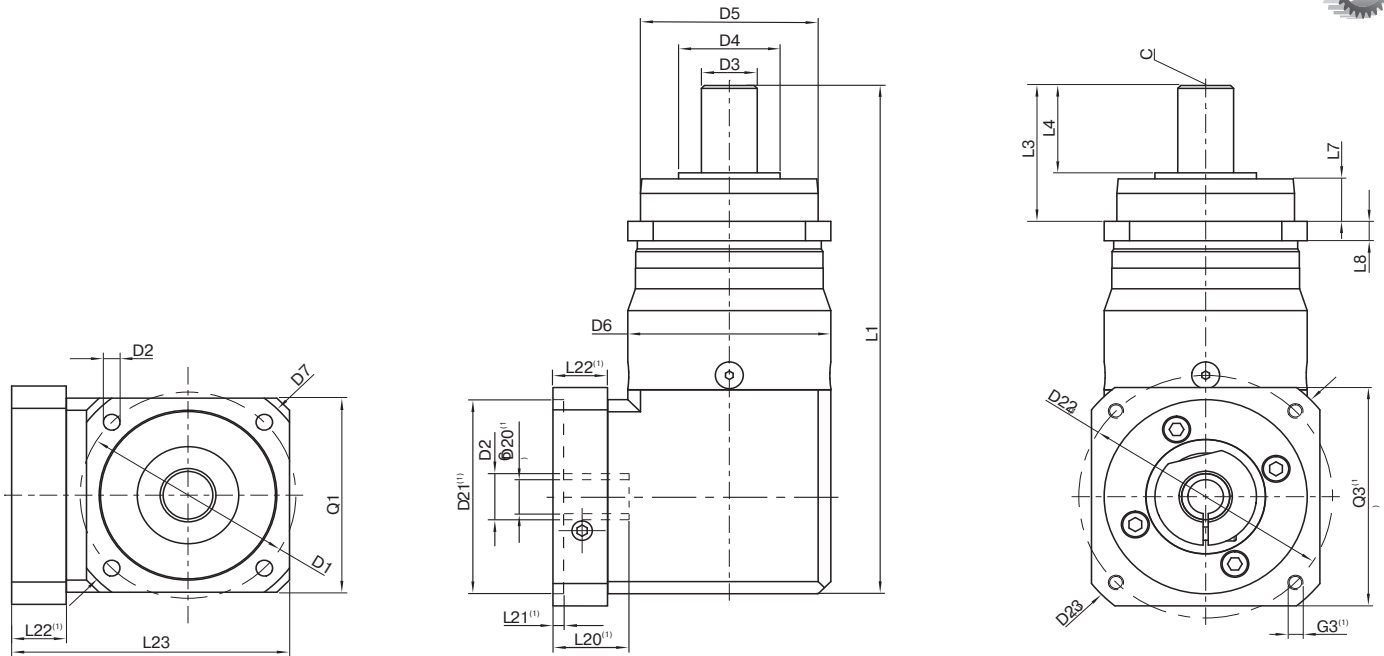
⁽²⁾ Number of stages

⁽³⁾ Permitted 1000 times

⁽⁴⁾ Application-specific speed configurations with NCP – www.neugart.com

⁽⁵⁾ See page 164 for the definition

⁽⁶⁾ Average thermal input speed at 50% T_{2N} and S1



Drawing corresponds to a WPLHE080 / 1-stage / smooth output shaft / 19 mm clamping system / motor adaptation – 2-part – square universal flange / B5 flange type motor

⁽¹⁾ The dimensions vary with the motor/gearbox flange. The input flange dimensions can be retrieved for each specific motor in Tec Data Finder at www.neugart.com

Geometry ⁽²⁾			WPLHE060	WPLHE080	WPLHE120	p ⁽³⁾	Code
Pitch circle diameter output	D1		68 (2.677) - 75 (2.953)	85 (3.346)	120 (4.724)		
Mounting bore output	D2	4x	5.5 (0.217)	6.5 (0.256)	9.0 (0.354)		
Shaft diameter output	D3	k7	16 (0.630)	22 (0.866)	32 (1.260)		
Shaft collar output	D4		35 (1.378)	40 (1.575)	45 (1.772)		
Centering diameter output	D5	h7	60 (2.362)	70 (2.756)	90 (3.543)		
Housing diameter	D6		60 (2.362)	80 (3.150)	115 (4.528)		
Diagonal dimension output	D7		92 (3.622)	100 (3.937)	140 (5.512)		
Flange cross section output	Q1	■	70 (2.756)	80 (3.150)	110 (4.331)		
Total length	L1		168 (6.614) 180.5 (7.106)	209.5 (8.248) 227.5 (8.957)	272.5 (10.728) 300 (11.811)	1 2	
Shaft length output	L3		48 (1.890)	56 (2.205)	88 (3.465)		
Centering depth output	L7		19 (0.748)	18 (0.689)	28 (1.102)		
Flange thickness output	L8		7 (0.276)	8 (0.315)	10 (0.394)		
Min. overall height	L23		90.5 (3.563)	109.5 (4.311)	145.5 (5.728)		
Motor shaft diameter j6/k6	D20		More information on page 161/162				
Clamping system diameter input	D26		More information on page 161/162				
Output shaft with feather key (DIN 6885-1)			A 5x5x25	A 6x6x28	A 10x8x50		
Feather key width (DIN 6885-1)	B1		5 (0.197)	6 (0.236)	10 (0.394)		A
Shaft height including feather key (DIN 6885-1)	H1		18 (0.709)	24.5 (0.965)	35 (1.378)		
Shaft length from shoulder	L4		28 (1.102)	36 (1.417)	58 (2.283)		
Feather key length	L5		25 (0.984)	28 (1.102)	50 (1.969)		
Distance from shaft end	L6		2 (0.079)	4 (0.157)	4 (0.157)		
Center hole (DIN 332, type DR)	C		M5x12.5	M8x19	M12x28		
Smooth output shaft							
Shaft length from shoulder	L4		28 (1.102)	36 (1.417)	58 (2.283)		B
Splined output shaft (DIN 5480)			W16x0.8x18x6m	W22x1.25x16x6m	W32x1.25x24x6m		
Width of gearing	L _v			15 (0.591)			C
Shaft length output	L3		48 (1.890)	56 (2.205)	88 (3.465)		
Shaft length from shoulder	L4		26 (1.024)	26 (1.024)	26 (1.024)		
Center hole (DIN 332, type DR)	C		M5x12.5	M8x19	M12x28		

⁽²⁾ Dimensions in mm
⁽³⁾ Number of stages